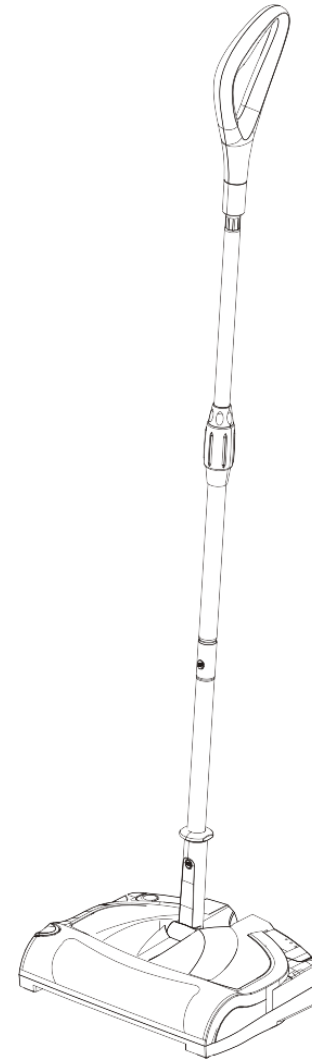


SPEEDY SWEEP

Cordless Battery Powered Sweeper User's Guide

Part # 558000
Item # SS5000NM



Important !

Read all instructions carefully and keep for future reference.

Contents

WARNING	1
Important Safety Instructions	1
Important Battery Handling Instructions	2
Parts List	3
Assembly	4
Assembly Instructions	4
Operations	5
Operating Instructions	5
Maintenance	5
Emptying Dirt Tray	5
Storage	6
Cleaning Standard Floor Brush Roller	6
Cleaning Pet Brush Roller	6
Troubleshooting	7
Battery disposal	7
Warranty	8

IMPORTANT SAFETY INSTRUCTIONS!

When using a battery powered appliance, basic precautions should always be followed, including the following:
READ ALL INSTRUCTIONS BEFORE USING THIS CORDLESS SWEEPER



WARNING!

To reduce the risk of fire, electric shock, or injury:

- Do not expose to rain, store indoors.
 - Do not allow to be used as a toy. Children should be monitored during usage.
 - Use only as instructed in this manual. Use only manufacturer's recommended attachments.
 - Do not use extension cords or outlets with inadequate current carrying capacity.
 - Do not handle charger, battery or sweeper with wet hands.
 - Do not incinerate or mutilate batteries as they will explode at high temperatures.
 - Do not pick up anything with the sweeper that is burning or smoking such as cigarettes, matches, or hot materials.
 - Do not completely drain the battery before charging to avoid damage to the battery.
 - Do not pick up flammable or combustible liquids such as gasoline, or use in areas where they are present.
 - Store the adapter indoors in a cool dry area not exposed to the weather to avoid electrical shock and/or sweeper damage.
 - Only use the adapter provided by the manufacturer to recharge the appliance.
- Additional Safeguards**
- Always disconnect cord from electrical outlet before servicing the sweeper.
 - Only charge the unit indoors.
- Lubrication**
- Lubrication is not necessary since the motor and brush roller are permanently lubricated.

SAVE THESE INSTRUCTIONS

If the adapter or the interconnection cord is damaged, it must be replaced.

IMPORTANT BATTERY HANDLING INSTRUCTIONS

When using an appliance containing a Nickel Metal Hydride battery (NiMH) basic precautions should always be followed, including the following:

READ ALL INSTRUCTIONS BEFORE CHARGING THE BATTERY



WARNING!

To reduce the risk of fire, electric shock, or injury:

Battery charging

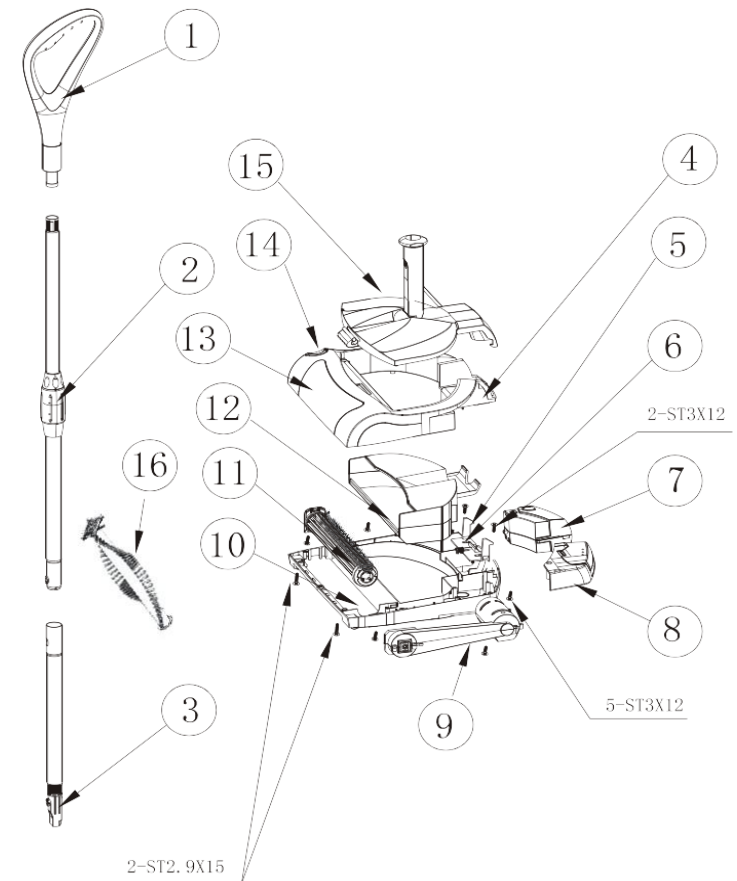
- Charge the battery for 10 hours before initial use.
- Never modify the electrical system. Alterations could cause a fire resulting in serious injury and could also ruin the electrical system.
- Use of the wrong type battery or charger could cause a fire or explosion resulting in serious injury.
- Dropping the Battery could result in serious injury.
- Never allow children to charge the battery. Battery charging must be done by adults only.
- A child could be injured by the electricity involved in charging the battery.
- Never lift or carry the battery by the wires or connector. This can damage the battery and possibly cause a fire resulting in serious injury. Lift and carry the battery by the case only.
- Read the safety instructions on the battery.
- Examine the battery, charger and their connectors for excessive wear or damage each time you charge the battery. If damage or excessive wear is detected, do not use the charger or the battery until you have replaced the worn or damaged part.

Care

- If the battery develops a leak, avoid contact with the leaking acid and place the damaged battery in a plastic bag. Please refer to the information on this page for proper disposal.
- If acid comes in contact with skin or eye, flush with cool water for at least 15 minutes and call a physician.
- If acid is internally ingested, give water, milk of magnesia or egg whites immediately. Never give emetics or induce vomiting. Call a physician.
- Do not allow the battery to completely drain before charging.
- Charge the battery at least once per month, even if the sweeper has not been used.
- Leaving the battery in a discharged condition will ruin it.
- Do not store the battery in temperatures above 75°F or below -10°F.

Parts List

To assist you in identifying your sweeper's components, the parts have been numbered as follows.



- | | |
|-------------------------------------|---------------------------------|
| 1. Handle | 9. Belt |
| 2. Tube A | 10. Bottom base |
| 3. Tube B | 11. Pet Brush Roller |
| 4. Top cover | 12. Dirt Tray |
| 5. Lock slider, dust box cover | 13. Crystal window for brush |
| 6. Release spring on dust box cover | 14. Release button |
| 7. Battery package | 15. Dirt Tray Cover |
| 8. Switch box | 16. Standard Floor Brush Roller |

Assembly

Assembly Instructions

Attach wall mount to a flat surface using the screws provided.

Insert the round end of the brush roller against the side-intake. Push the end card of the opposite end of the brush roller into the channel until the end card "snaps" into place.

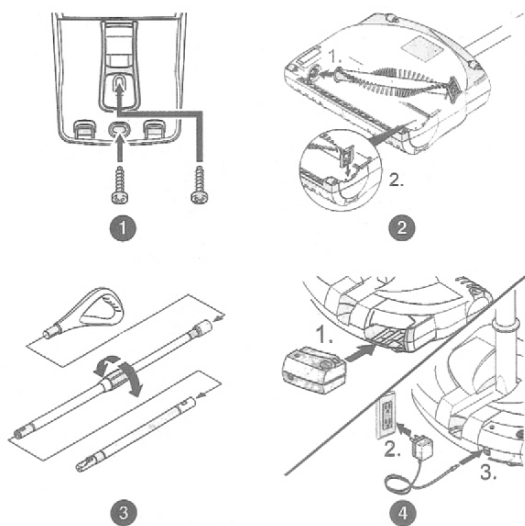
Attach handle to the end of strut with the telescopic wand adjustment. Press down on the locking tab, slide shorter strut over longer strut until locking tab catches. Inset assembled handle into base until locks in place. Loosen the telescopic wand adjustment to length and then tighten telescopic wand adjustment.

Insert battery into battery compartment until it "snaps" in place. Connect the power adapter and allow the unit to charge for 10 hours.

The LED charging display will light red when charging and the battery is charged when the LED charging indicator changes from red to green.

NOTE: The unit will not charge if left in the ON position.

It is recommended that you remove the power adapter from the unit once the unit has completely charged.



Operation

Operating Instructions

Press the "⏻" switch on top of power head when ready to operate.

Place foot on power head and lean handle back gently to release lock for use.

Return handle to the full upright position to engage lock. NOTE: Do not operate the unit while in the upright and locked position. Do not let the unit run while in a stationary position for any period of time. Keep the unit moving while it is operating.



Maintenance

The performance of your new sweeper greatly depends upon care and maintenance. The instructions in this manual will guide you in performing basic care and maintenance. Read the instructions and keep them handy for future reference.

Emptying Dirt Tray:

Firmly grasp the unit at the handle base and with the other hand, press the dirt tray lever release. NOTE: Make sure to have a firm grasp on the handle base and carefully lay the handle flat.

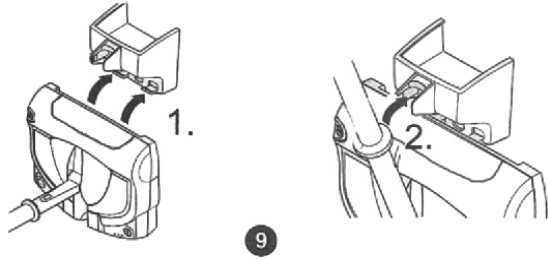
Lift the dirt tray out of the unit and discard contents into wastebasket. Reinsert the dirt tray into the unit. Grasp the handle base and carefully rotate it forward until it locks into place.



Maintenance

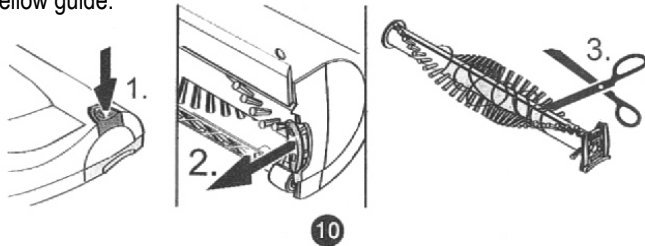
Storage

Attach the lip of the brush roller chamber over the hooks of the wall mount. Rotate handle upwards until it snaps into the handle lock.



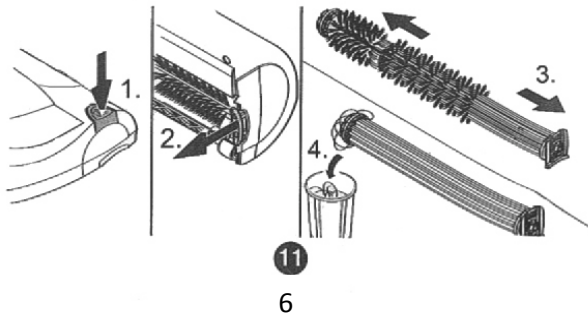
Cleaning Standard Floor Brush Roller

Press the Brush Roller Release to remove the brush from the brush roller chamber. Remove any wound up debris using a knife or scissors. Cut debris along cleaning grooves in the brush roller for easier cleaning. Reinstall brush in brush roller chamber by carefully inserting brush end and yellow guide.



Cleaning Pet Brush Roller

- 11 Press the Brush Roller Release to remove the brush from the brush roller chamber. Pull the round end of the brush roller to remove it from the cleaning cover. All debris to be discarded will be left on the brush roller cover. Remove any wound up debris using a knife or scissors. After cleaning brush roller, insert it back into the cleaning cover. Reinstall brush into brush roller chamber.



6

Maintenance

Troubleshooting

Service problems that appear to be major can often be solved easily. You can be your own troubleshooter by reviewing this guide.

Problem	What to do
Unit does not turn on.	<ul style="list-style-type: none"> • Charge battery again • Check electrical source or circuit
LED charging indicator not lit while charging.	<ul style="list-style-type: none"> • Make sure the charging adapter is properly plugged into an operational electrical outlet and charging socket. • Check electrical source or circuit breaker.
Suction power is not sufficient.	<ul style="list-style-type: none"> • Empty dirt tray. • Charge battery again. • New battery may be required, contact Milwaukee Dustless Brush
Running time is not sufficient.	<ul style="list-style-type: none"> • Clean brush roller. • Charge battery again. New battery may be required, contact Milwaukee Dustless Brush
Brush roller does not work while operating.	<ul style="list-style-type: none"> • Clean brush roller. • Contact Milwaukee Dustless Brush
Unit still does not operate properly	<ul style="list-style-type: none"> • Contact Milwaukee Dustless Brush

Customer Service Hotline

USA: 1 800-632-3220

Website: www.milwaueedustless.com

Battery Disposal

To preserve natural resources, please recycle or dispose of expired battery pack properly.

THIS PRODUCT CONTAINS A NICKEL-METAL HYDRIDE BATTERY (NiMH). IT MUST BE DISPOSED OF PROPERLY. LOCAL, STATE, OR FEDERAL LAWS MAY PROHIBIT DISPOSAL OF A NICKEL-METAL HYDRIDE BATTERY (NiMH) IN ORDINARY TRASH. CONSULT YOUR LOCAL WASTE AUTHORITY FOR INFORMATION REGARDING AVAILABLE RECYCLING AND/OR DISPOSAL OPTIONS. FOR DISPOSAL INFORMATION, CALL THE RECHARGEABLE BATTERY RECYCLING CORPORATION AT 1-800-8-BATTERY.

Warranty

Speedy Sweep

MILWAUKEE DUSTLESS BRUSH/GORDON BRUSH WISCONSIN, LLC (MDB) gives you the following limited warranty for this product only if it was originally purchased for use, not resale, from MDB or a MDB Authorized Dealer.

MDB will repair or replace, free of charge, to the original purchaser, any part which is found to be defective in material or workmanship within one (1) year of the date of purchase, exclusive of: brush rollers (30 days) and batteries (90 days). This limited warranty applies to commercial and normal domestic use.

This limited warranty does not cover the replacement of expendable or consumable parts such as belts and other parts subject to normal wear.

This limited warranty does not apply to any part subjected to accident, abuse, alteration, misuse, damage caused by fire or an act of God, the use of voltage other than indicated on the product or service of this product by other than MDB.

MDB's limited warranty is valid only if you retain proof of purchase from MDB or an MDB Authorized Dealer for this product. If you purchase this product from any other source, your purchase is "AS IS", which means MDB grants you no warranty, and that you, not MDB, assume the entire risk of the quality and performance of this product, including the entire cost of any necessary servicing or repairs of any defects.

MDB's liability for damages to you for any costs arising out of this statement of limited warranty shall be limited to the amount paid for this product at the time of original purchase, and MDB shall not be liable for any direct, indirect, consequential or incidental damages arising out of the use or liability to use this product.

ALL EXPRESS AND IMPLIED WARRANTIES FOR THIS PRODUCT, INCLUDING IMPLIED WARRANTIES OF MERCHANTABILITY AND FITNESS FOR A PARTICULAR PURPOSE, ARE LIMITED IN DURATION TO THE WARRANTY PERIOD, AND NO WARRANTIES, WHETHER EXPRESS OR IMPLIED, WILL APPLY AFTER THIS PERIOD.

This warranty gives you specific legal rights, and you may also have other rights which vary from state to state.